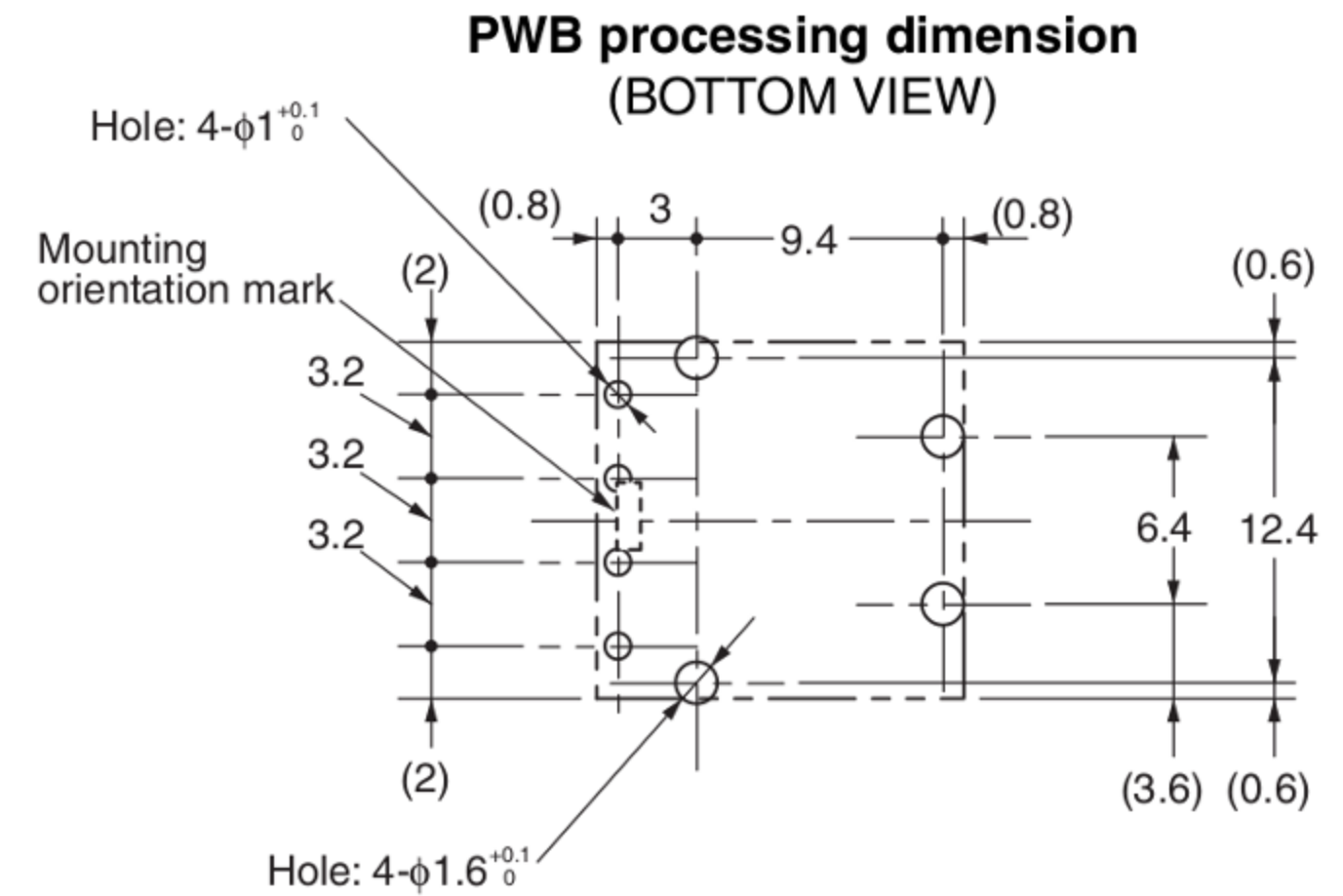
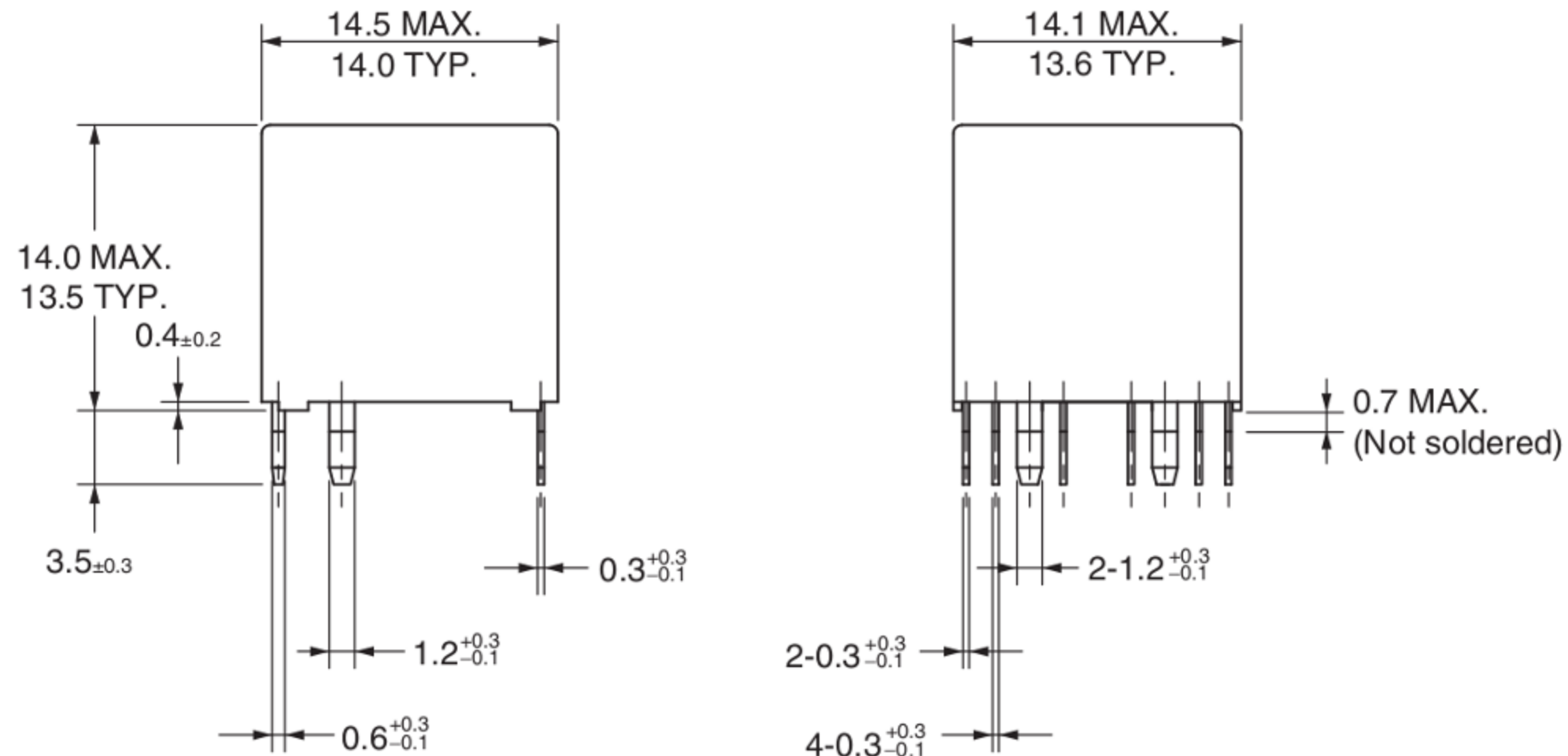
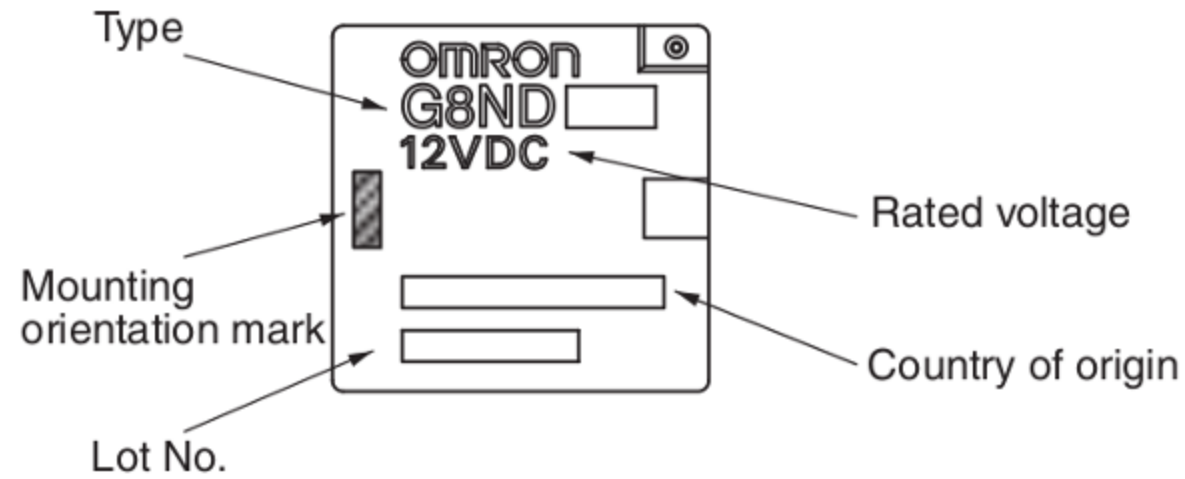
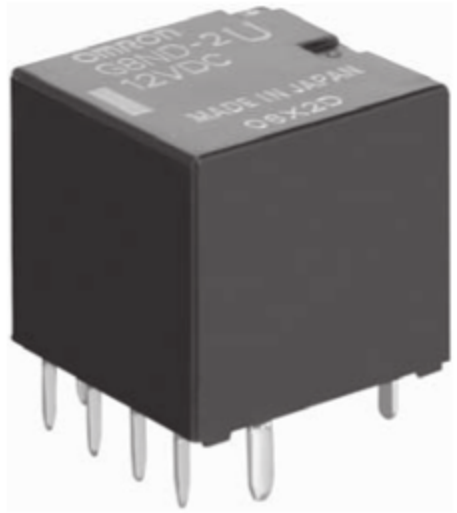


G8ND

Automotive PCB relay (Dual H-Bridge)

■ Dimensions (Unit: mm)

G8ND Relay with Simple Simple Plastic Seal



Terminal arrangement / Internal connections (BOTTOM VIEW)

